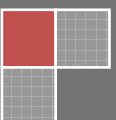


2013

PRODUCT CATALOG

IN THIS DOCUMENT BRING YOU BACK THE
CHARACTERISTICS OF OUR PRODUCTS...

For any further information please do not hesitate to contact us...we are waiting...



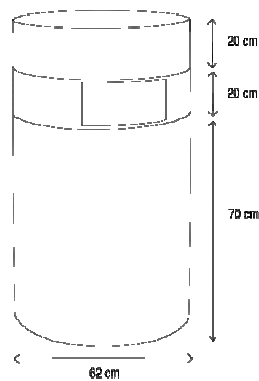
BIN ITALY 3 HOLES



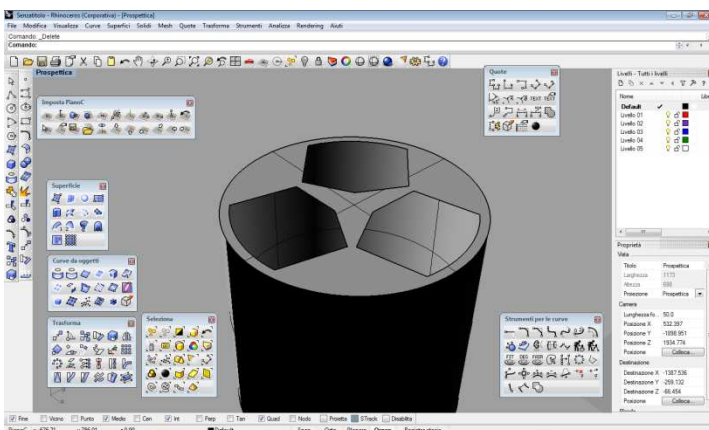
The bin is made entirely in Italy Fiberglass is decomposable and has been designed for use in the collection.

Due to its size and to its system of splitting the product is very useful for indoor and outdoor.

The material of which it is composed, in particular, is very resistant to atmospheric agents.



Its opening system makes it very easy to use and very functional especially for those who will carry out the rubbish collection.

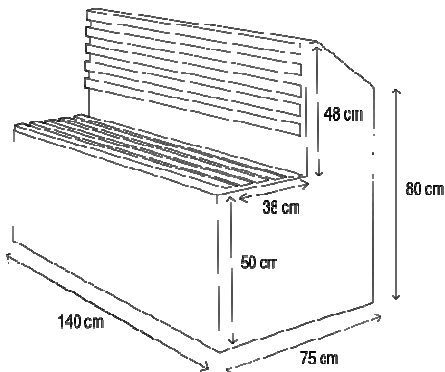


Thanks to the design of the system 3 Holes for recycling this product is especially good for use in the urban system of waste collection.

BENCH MEXICO

The Bench Mexico is a mix of style and practicality.

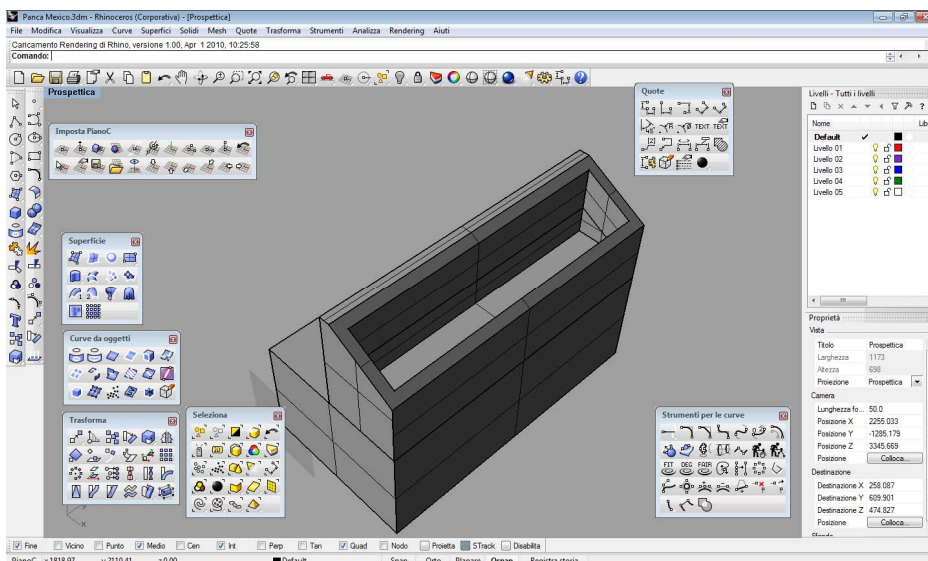
With its sturdy structure and also to the practical back with space to put plants or other, this product is intended to urban as well as to the civilian.



As you can see the bench can also be equipped with additional accessories according to your tastes or even use that want to do.

Practical and functional adapts to any environment in which it is placed.

Furthermore its dimensions allow to sit comfortably in 2 or even 3 people without space problems.



The design of the backrest has been designed for a variety of uses such as the inclusion of plants or other features that may vary depending on usage.

This "optional" may be replaced by a solid structure.

BENCH-PLANTER AUSTRALIA

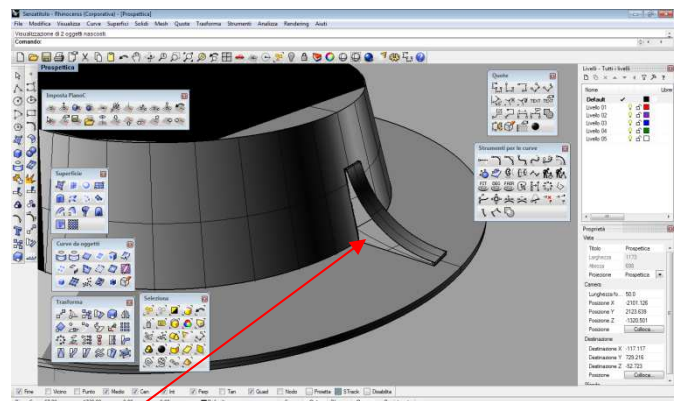
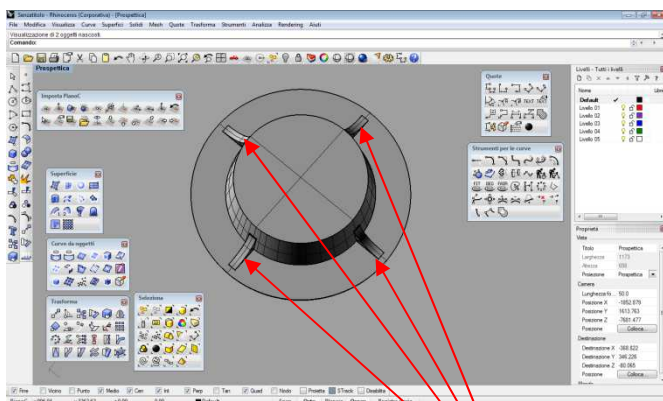
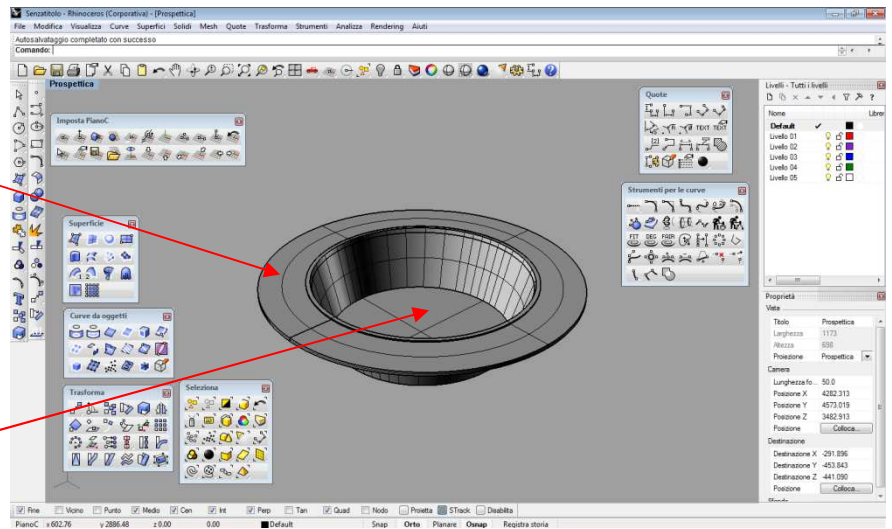


The Planter Bench-Australia has been designed and built for the Italian and European markets.

Thanks to its design as well as allowing you to accommodate many people has a huge internal capacity for plants or any function you have in mind.

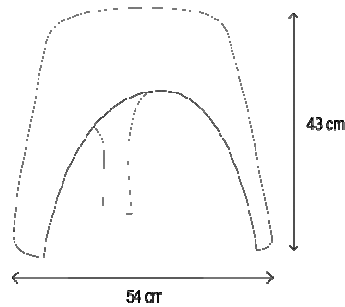
Large sitting by 37cm ... more space and greater comfort.

Spacious interior with a diameter of 87cm and a height of 48.5 cm ... you can do whatever you want to insert ourselves.



A further additional strength of this product was endow it supports for the seat so as to weld as possible to the central body and make it stable at 100%.

STOOLS CHILE



Simple, durable, versatile, colorful and fun.

When Stools Chile have been produced for the sole purpose was to provide a product that everyone could use as they wished.

To support only our legs, for the kids or just to sit all together outdoors.



Products manufactured and supplied by Global Resin Ltd. reproduced the drawings and specifications contained in this document are the exclusive property of our company. Any attempt to riproduzione or sale by other companies of the same product will be prosecuted according to law as expected.

Global Resin. S.r.l. - Via Enzo Ferrari, S/N - 61030 Calcinelli di Saltara (PU) - P.IVA e C.F. 02490580418